



Movements for self-setting indoor and outdoor clocks

## SAM/SEM 100

The SAM/SEM 100 is a modern high-quality movement for precise time display (SAM 100(t): h/min; SEM 100(t): h/min/s).

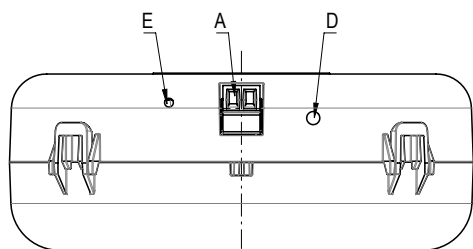
Two powerful motors move hands for clocks up to Ø 100 cm.

The SAM/SEM 100 movements can be controlled using MOBA-Line or DCF active time code.

Your advantages:

- compact design
- movement of the minute and second hand configurable
- simple cabling
- minimal shadow casting due to round housing
- fast regulating and set-up times
- ideal for combination with Clock Controller

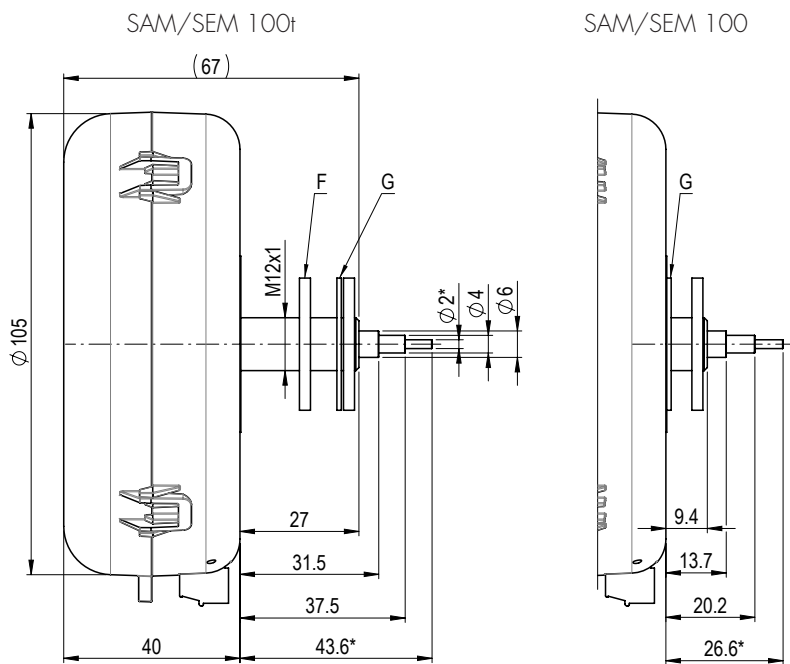
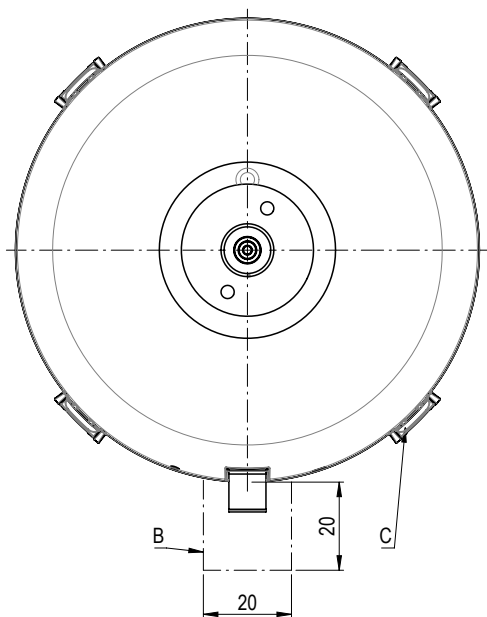
## SAM / SEM 100(t) - Technical details



- A MOBALine connector
- B required space for connector
- C housing clips
- D push-button
- E LED

- F Disc nut for mounting
- G rubber washer

\*Second shaft only for SEM 100(t)



all dimensions in mm

Technical data	SAM 100(t)	SEM 100(t)
Dial diameter	up to 1000 mm	
Synchronization	- MOBALine (local time) (ETC, DTS, NMI, Clock Controller...) - DCF active bipolar	
Power supply	MOBALine or DCF active	
Consumption (at >14VAC)	< 20 mA	< 30 mA
Operation hour hand	continuous	
Operation minute hand	Minute, 1/2 minute or continuous (10 sec.) setting via MOBALine	
Operation second hand	-	Step, cont. with/without stop, wobbling with stop setting via MOBALine* or push-button *not supported by all master clocks
Adjustment time	Initiation: <3 min. Daylight saving time change: <2 min.	
Temperature range	-30 ... +70 °C	
Weight	210 g	250 g
Second shaft torque	-	>60 mNm
Minute shaft torque	>20 mNm	
Hour shaft torque	>20 mNm	
Hand weight	typically 70 g, max. 140 g (well-balanced)	